

NBC series

NBC -10 -472 -□

① ② ③ ④

- ① Model Name
- ② Rated Current
- ③ Line to ground capacitor code: See table 1.1.

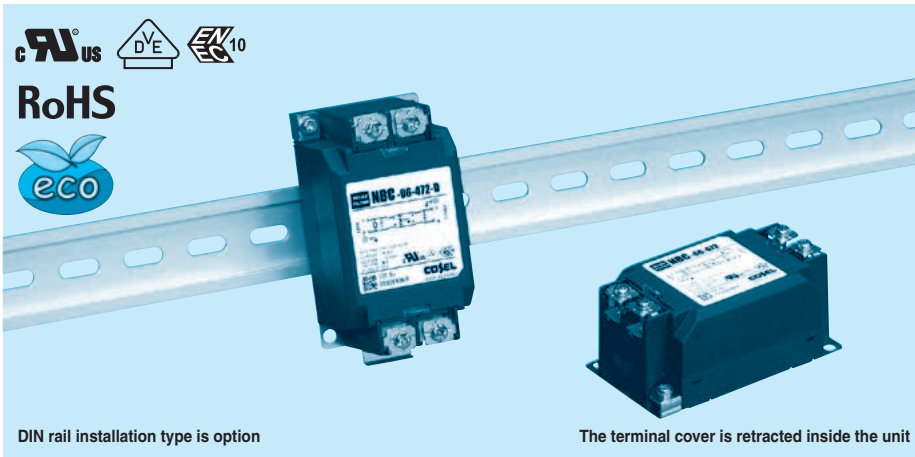
table 1.1 Line to ground capacitor code

Code	Leakage Current (Input 125/250V 60Hz)	Line to ground capacitor (nominal value)
681	75.5 μ A / 150 μ A max	680pF
102	0.13mA / 0.25mA max	1000pF
222	0.25mA / 0.5 mA max	2200pF
332	0.38mA / 0.75mA max	3300pF
472	0.5 mA / 1.0 mA max	4700pF

* When the line to ground capacitor code is different, the attenuation characteristic is different.

- ④ Options
- D: DIN rail installation type

* The dimensions change when the option is set. Refer to External view.



DIN rail installation type is option

The terminal cover is retracted inside the unit

Features of NBC series

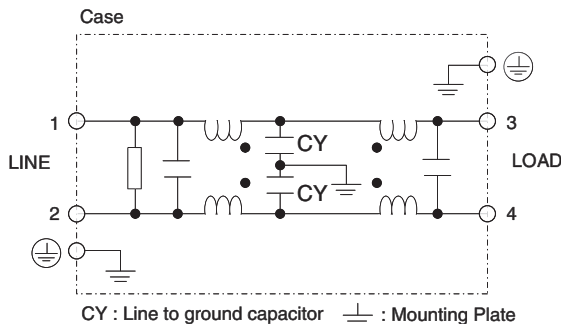
High-attenuation type of common mode noise from 150kHz to 1MHz (2-stage filter)

- Single Phase 250 VAC
- Push down type terminal block

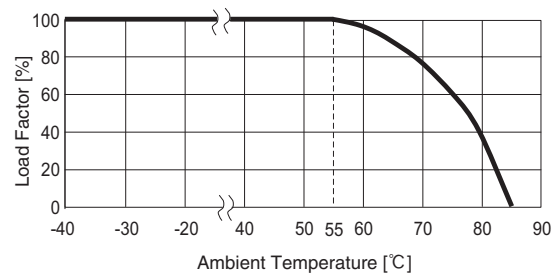
Specifications

No.	Items	NBC-06-472	NBC-10-472	NBC-16-472	NBC-20-472	NBC-30-472
1	Rated Voltage[V]	AC 1 ϕ 250 / DC250				
2	Rated Current[A]	6	10	16	20	30
3	Test Voltage (Terminal-Mounting Plate)	2,500 VAC (Cutoff Current = 20mA), 1minute at room temperature and humidity				
4	Isolation Resistance (Terminal-Mounting Plate)	500 VDC 100M Ω min at room temperature and humidity				
5	Leakage current 125/250V 60Hz	0.5mA/1.0mA max				
6	Voltage drop	1.0V max				
7	Safety agency approval temperatures	-25 to +85°C (Refer to Derating Curve)				
8	Operating temperature	-40 to +85°C (Refer to Derating Curve)				
9	Operating humidity	20 to 95%RH (Non condensing)				
10	Storage temperature/humidity	-40 to +85°C/20 to 95%RH (Non condensing)				
11	Vibration	10 to 55Hz, 19.6m/s ² (2G), 3min. Period, 1hour each X, Y and Z axis				
12	Impact	196.1m/s ² (20G), 11ms Once each X, Y and Z axis				
13	Safety agency approvals	UL1283, CSA C22.2 No.8 (C-UL), DIN EN60939 VDE0565 Teil3-1, ENEC (At only AC input)				
14	Case size (without projection) /Weight	53 X 41 X 92 mm [2.09 X 1.61 X 3.62 inches] (W X H X D) /270g max (Option : -D refer to external view)				

Circuit Diagram



Derating Curve

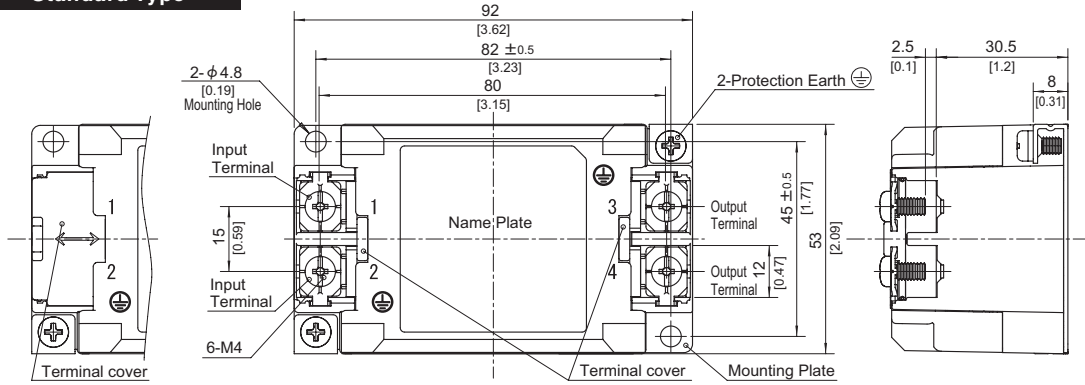


External view

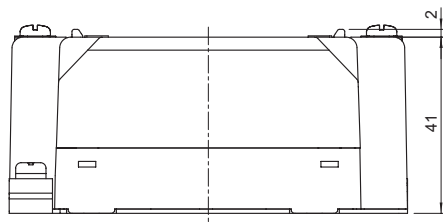
As this product is adopted push-down type terminal block, this appearance is as follows.

- ① The terminal cover is retracted inside the unit.
- ② The screws for connecting the terminals are held in the up right position.

Standard Type

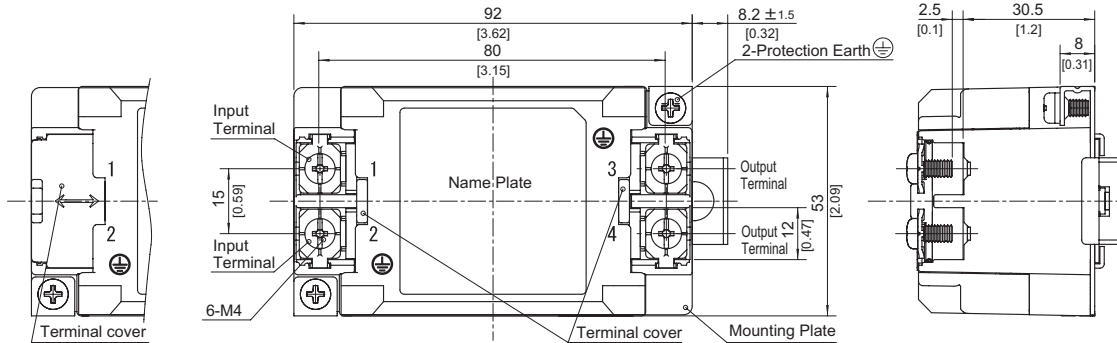


※ Closed the terminal cover

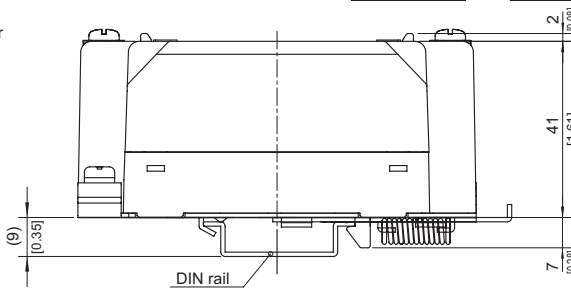


- ※ Tolerance : ± 1 [± 0.04]
- ※ Weight : 270g max
- ※ Mounting Plate : Iron (surface finishing:nickel plating) t=1.0 [0.04]
- ※ Case : PBT
- ※ Dimensions in mm, []=inches
- ※ Terminal block screw tightening torque M4:1.6N · m (16.9kgf · cm) max

DIN rail installation Type



※ Closed the terminal cover



- ※ Tolerance : ± 1 [± 0.04]
- ※ Weight : 270g max
- ※ Mounting Plate : Iron (surface finishing:nickel plating) t=1.0 [0.04]
- ※ Case : PBT
- ※ Dimensions in mm, []=inches
- ※ Terminal block screw tightening torque M4:1.6N · m (16.9kgf · cm) max

■Note when installing the EMI/EMC Filter on a DIN rail.

When the EMI/EMC Filter is grounded through the DIN rail, the proper noise attenuation may not be achieved.

Be sure to connect the protection earth (PE) of the EMI/EMC Filter body to the earth. It can connect the ground to either one only.

