

# JAC series(6-30A)

JAC -30 -683 -□

① ② ③ ④

- ① Model Name
- ② Rated Current
- ③ Line to ground capacitor code: See table 1.1.

table 1.1 Line to ground capacitor code

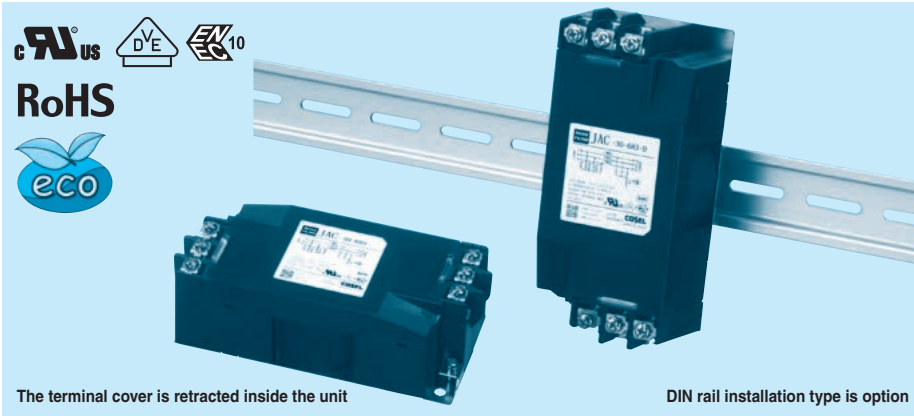
Code	Leakage Current (Input 250/500V 60Hz)	Line to ground capacitor (nominal value)
103	0.5mA/1.0 mA max	10,000pF
223	1.0mA/2.0 mA max	22,000pF
683	2.5mA/5.0 mA max	68,000pF

\* When the line to ground capacitor code is different, the attenuation characteristic is different.

\* Please contact us about ultra high attenuation type for EU (Wye type with neutral earth system).

- ④ Option
- D: DIN rail installation type
- \* The dimensions change when the option is set. Refer to External view.

H: Ultra high-attenuation type



The terminal cover is retracted inside the unit

DIN rail installation type is option

## Features of JAC series

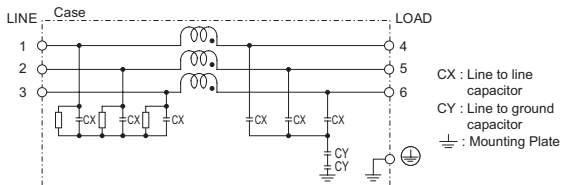
### Compact and low profile , common mode EMI/EMC filters in 150kHz to 1MHz(1-stage filter)

- Three Phase 500 VAC
- Push down type terminal block

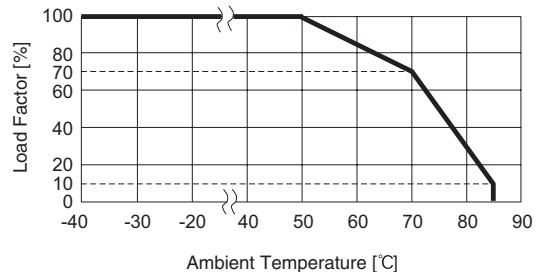
### Specifications

No.	Items	JAC-06-683	JAC-10-683	JAC-20-683	JAC-30-683
1	Rated Voltage[V]	AC Three Phase 500 (voltage range:528 max) 50/60Hz			
2	Rated Current[A]	6	10	20	30
3	Test Voltage (Terminal-Mounting Plate)	2,500 VAC (Cutoff Current = 100mA), 1minute at room temperature and humidity			
4	Isolation Resistance (Terminal-Mounting Plate)	500 VDC 100MΩ min at room temperature and humidity			
5	Leakage current 250/500V 60Hz	2.5mA/5.0mA max			
6	DC resistance	100mΩ max	45mΩ max	15mΩ max	8mΩ max
7	Safety agency approval temperatures	-25 to +85°C (Refer to Derating Curve)			
8	Operating temperature	-40 to +85°C (Refer to Derating Curve)			
9	Operating humidity	20 to 95%RH (Non condensing)			
10	Storage temperature/humidity	-40 to +85°C/20 to 95%RH (Non condensing)			
11	Vibration	10 to 55Hz, 19.6m/s <sup>2</sup> (2G), 3min. Period, 1hour each X, Y and Z axis			
12	Impact	196.1m/s <sup>2</sup> (20G), 11ms Once each X, Y and Z axis			
13	Safety agency approvals	UL1283, CSA C22.2 No.8 (C-UL) , DIN EN60939 VDE0565 Teil3-1, ENEC			
14	Case size (without projection)	63 X 44 X 132 mm (W X H X D) (Option: -D refer to external view) [2.48 X 1.73 X 5.20 inches] (W X H X D)			
15	Weight	440g max			

### Circuit Diagram



### Derating Curve

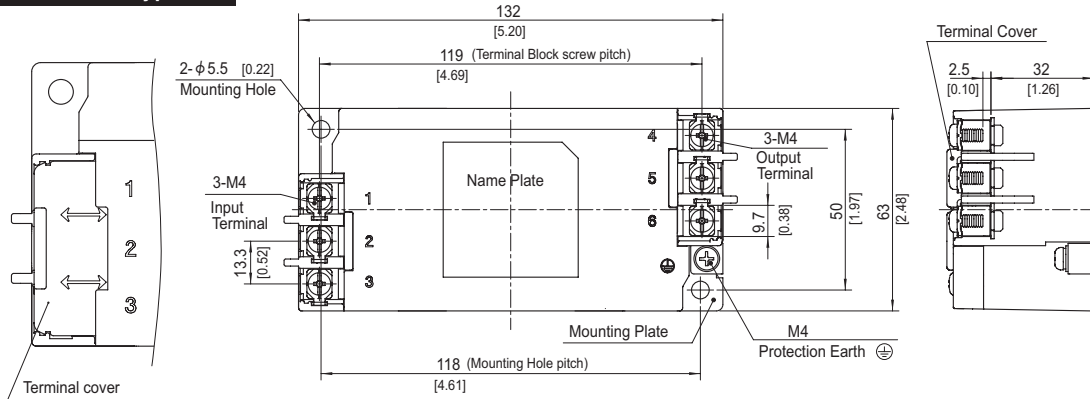


## External view

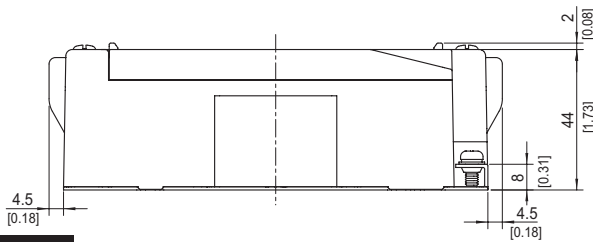
As this product is adopted push-down type terminal block, this appearance is as follows.

- ① The terminal cover is retracted inside the unit.
- ② The screws for connecting the terminals are held in the up right position.

### Standard Type

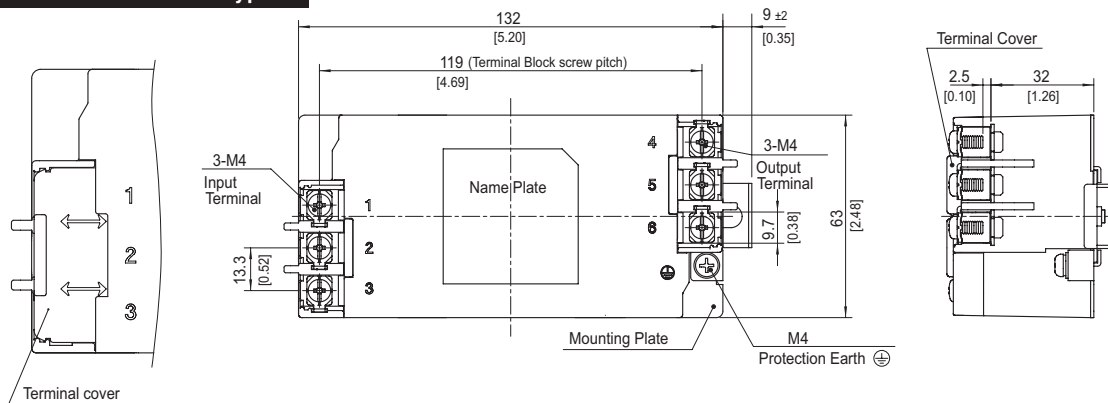


※ Close the terminal cover

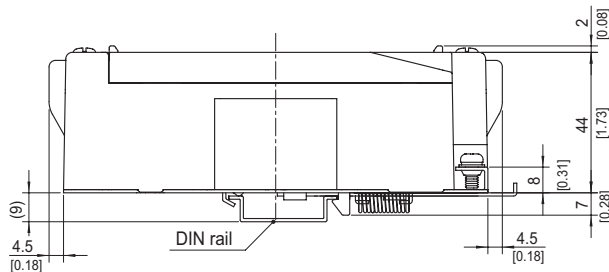


- ※ Tolerance :  $\pm 1[\pm 0.04]$
- ※ Weight : 440g max
- ※ Mounting Plate : Iron(surface finishing : nickel plating)  $t=1.0[0.04]$
- ※ Case : PBT
- ※ Dimensions in mm, [ ]=inches
- ※ Terminal block screw tightening torque M4 : 1.6N · m(16.9kgf · cm)max

### DIN rail installation Type



※ Close the terminal cover



- ※ Tolerance :  $\pm 1[\pm 0.04]$
- ※ Weight : 440g max
- ※ Mounting Plate : Iron(surface finishing : nickel plating)  $t=1.0[0.04]$
- ※ Case : PBT
- ※ Dimensions in mm, [ ]=inches
- ※ Terminal block screw tightening torque M4 : 1.6N · m(16.9kgf · cm)max

### ■ Note when installing the EMI/ EMC Filter on a DIN rail.

When the EMI/EMC Filter is grounded through the DIN rail, the proper noise attenuation may not be achieved.

Be sure to connect the protection earth (PE) of the EMI/EMC Filter body to the earth.

