

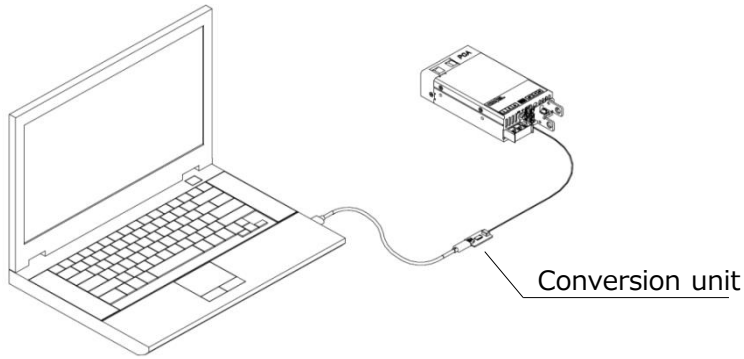


"PCA Controller U1" Connection method

1. Connection method

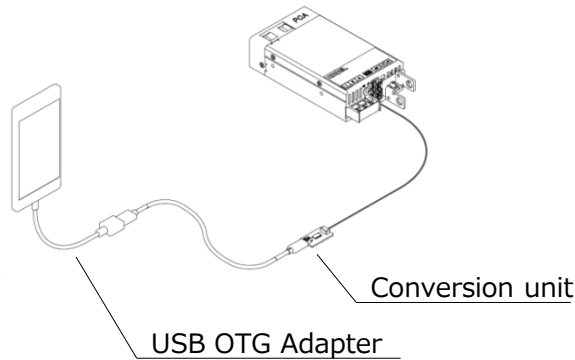
(1) Windows

You will need a Conversion unit.



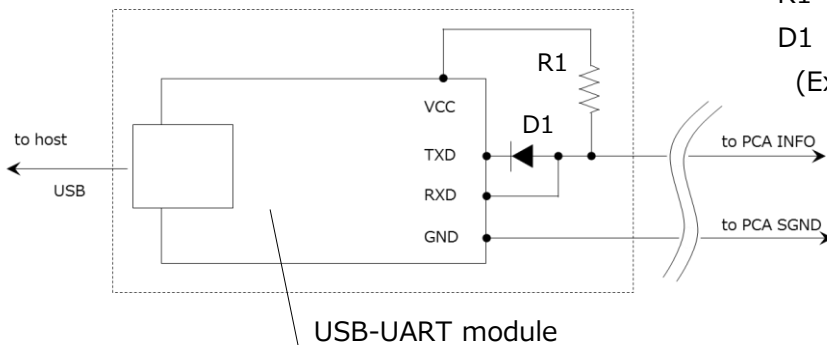
(2) Android

You will need a Conversion unit and a USB OTG (USB On-the-Go) Adapter.



2. Conversion unit

Connect the resistor R1 and diode D1 to USB-UART module as shown in the diagram below.



R1 : 680Ω

D1 : Schottky barrier diode

(Ex.) Toshiba : CES388

ROHM : RB511SM-40

Panasonic : DB2S30900L

Operation confirmed USB-UART module

UB232R(FTDI Chip)

AE-UM232R (AKIZUKI DENSHI TSUSHO)